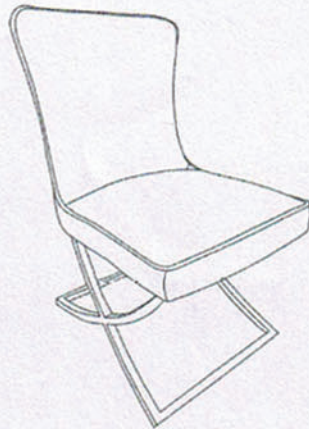


## Assembly Instruction



ASSEMBLY TIME PER UNIT:

20MINUTES

### PARTS IDENTIFICATION

B1:TOP MARBLE

#1 BACK






1PC

#1 FRAME



1PC

### HARDWARE LIST

No	SIZE	DIAGRAM	QTY
A	BOLT M6*30		4
B	FLAT WASHER		4
C	ALLEN WRENCH		1

★ Hardware pack is located in FRAME ★

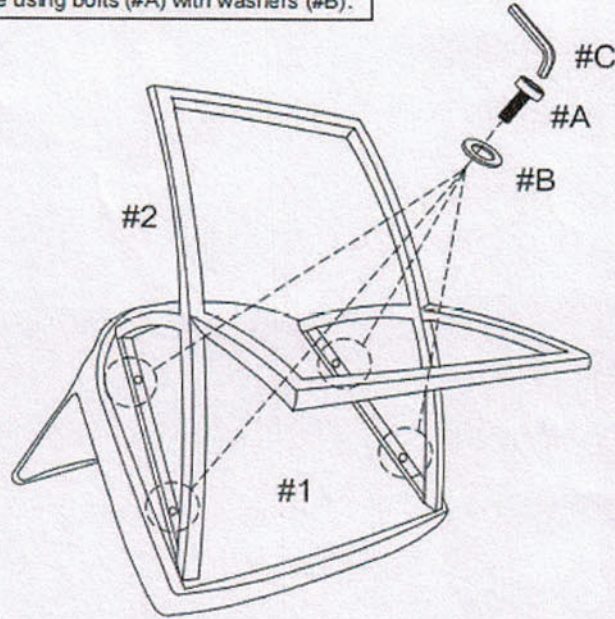
Item No: Dining Chair

## ASSEMBLY INSTRUCTION

### 1

- Part #1 x1pc
- Part #2 x1pc
- Hardware #A x4pcs
- Hardware #B x4pcs
- Hardware #C x1pcs

Align frame (#2) to the seat back (#1), then secure using bolts (#A) with washers (#B).



### 2

