

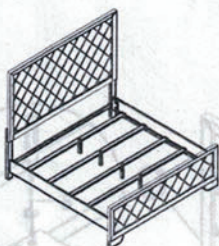


ITEM# B1004
(Queen Bed)

ASSEMBLY INSTRUCTION FOR QUEEN BED

Caution: Please read instructions thoroughly before unpacking assembly parts. Sharp, exposed staple tie can cause injury, therefore, for your protection, please remove any exposed staple used in packing.

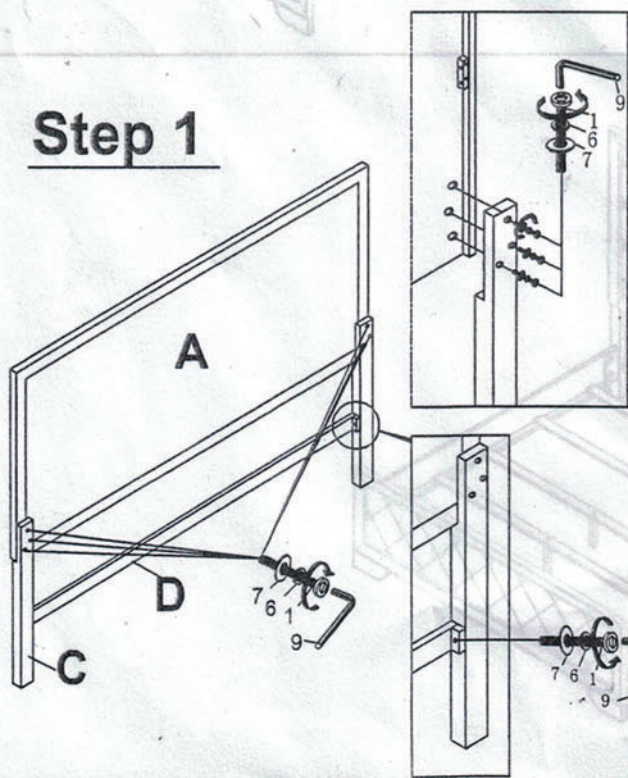
1. We recommend that you should assemble this product with the assistance of another person;
2. Be sure to check all packing materials carefully for small parts that may have come loose inside the carton during shipment.
3. Please put all parts on a non-abrasive floor before assembly, and follow the assembly, and follow the assembly step to assemble your newly purchased product correctly and efficiently.



HARDWARE LIST				
NO	DESCRIPTION	SKETCH	DIMENSION	QTY
1	BOLT		Ø5/16"x38mm"	8pcs
2	BOLT		Ø5/16"x88mm"	8pcs
3	CURVED WASHER		5/16"	8pcs
4	NUT		Ø5/16"	8pcs
5	SPRING WASHER		Ø5/16"	8pcs
6	SPRING WASHER		Ø5/16"	8pcs
7	FLAT WASHER		Ø5/16"(19mm)	8pcs
8	SCREW		8#X32mm"	8pcs
9	ALLEN KEY		4mmxL66mm	1pc
10	WRENCH		5/16"	1pc

PART LIST			
NO.	DESCRIPTION	SKETCH	1pc
A	Headboard panel		1pc
B	Footboard		1pc
C	Headboard Leg(L&R)		2pc
D	Headboard Cross Bar		1pc
E	Slats		4pcs
F	Support leg for center slat		4pcs
H	Side Rails		2pcs

Step 1



Step 2

