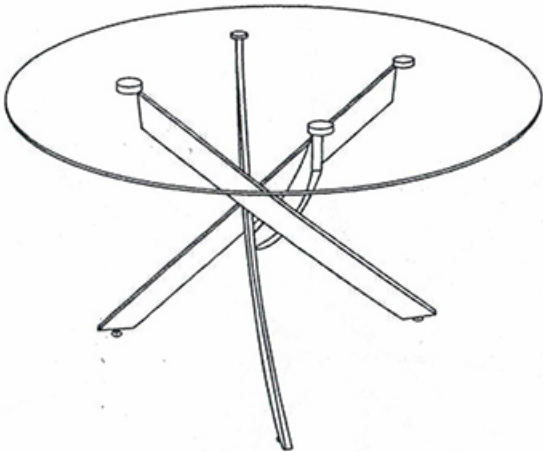




ASSEMBLY INSTRUCTIONS

DINING TABLE

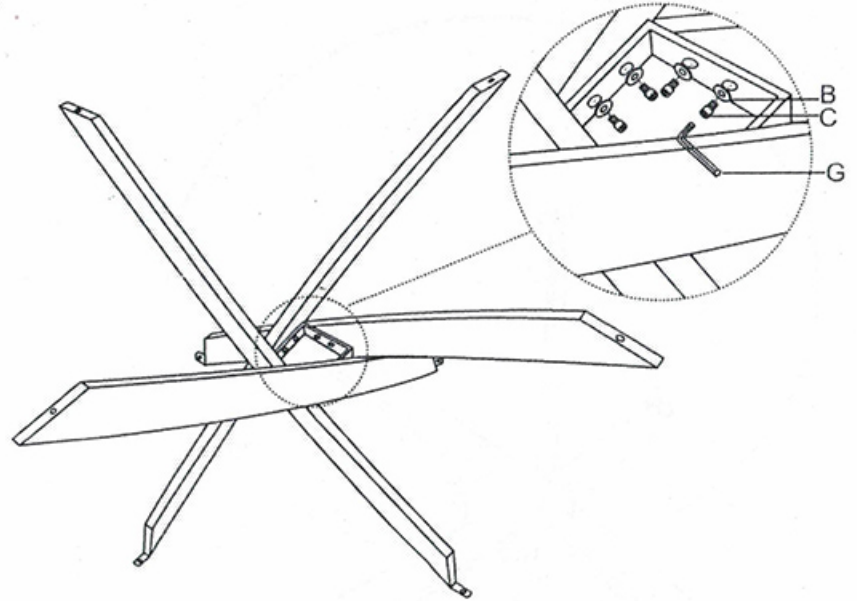
MODEL. NO.: T01



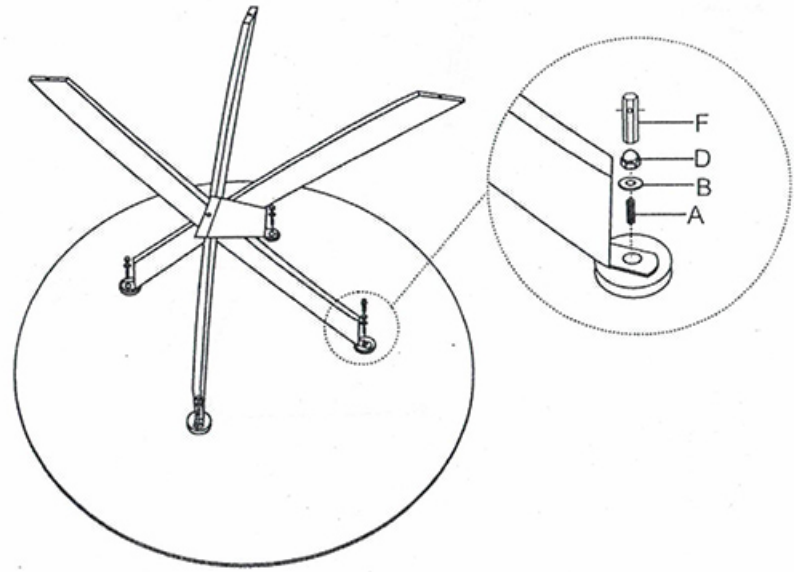
COMPONENTS:

 X4	 X12	 X8	 X4	 X4
 X1	 X1			

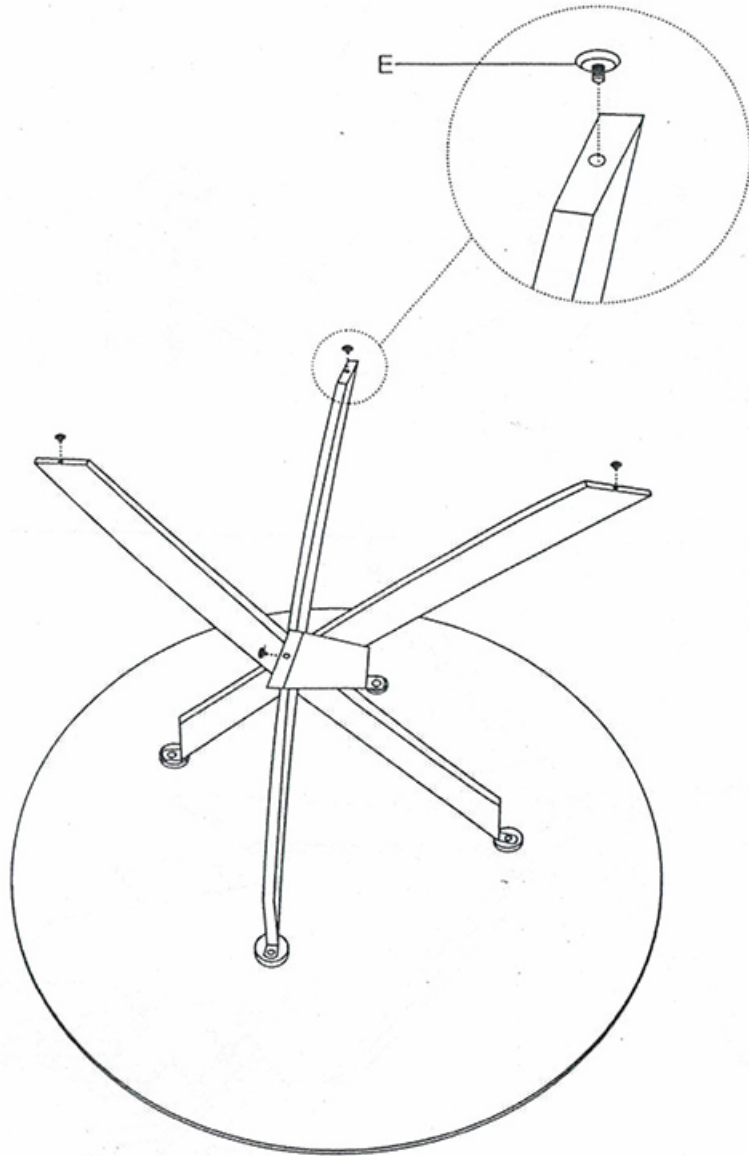
1



2



3)



4

