



ASSEMBLY INSTRUCTIONS

MODEL: D1081-SC DINING CHAIR

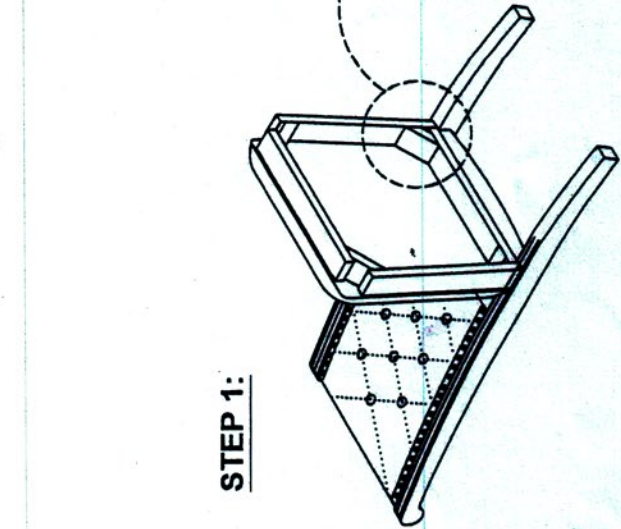
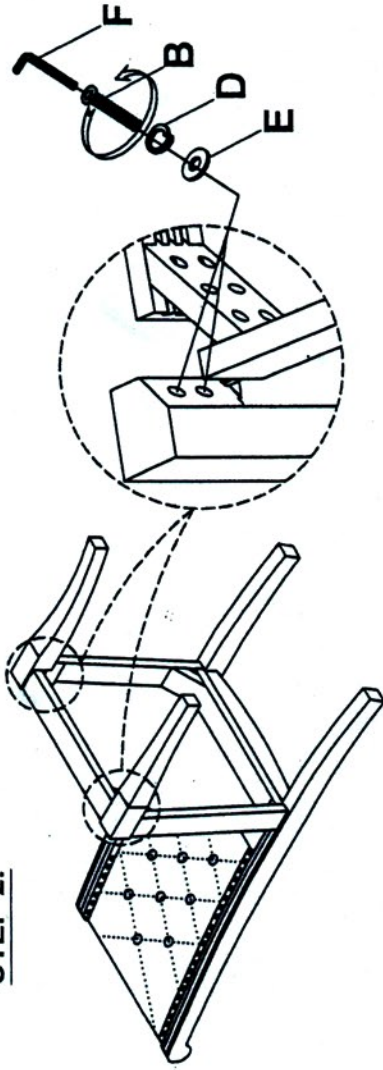
Thank you for purchasing quantity product. Be sure to check all packing material carefully for small parts which may have come loose inside the cartor during the shipment. Count all parts and metal hardware, compare the parts list below to be sure all parts are present.

NOTE: HARDWARE AND QUANTITY SHOWN BELOW ARE FOR 1 UNIT ASSEMBLY

HARDWARE		QTY
CODE	DESCRIPTION	
A	$\phi 5/16"$ *38mm BOLT	2X
B	$\phi 5/16"$ *60mm BOLT	4X
C	$\phi 5/16"$ *75mm BOLT	4X
D	$\phi 5/16"$ LOCK WASHER	10X
E	$\phi 5/16"$ FLAT WASHER	10X
F	4mm ALLEN KEY	1X

PART LIST		
CODE	DESCRIPTION	QTY
1	CHAIR BACK	1PC
2	SEAT CUSHION	1PC
3	CHAIR FRONT LEG	2PCS

STEP 2:



STEP 1:

