



Best Master Furniture™
The Imported Furniture Specialist

ASSEMBLY INSTRUCTIONS

ITEM NUMBER:DX1400.

Thank you for purchasing this quality product. Be sure to check all packing material carefully for small parts that may have come loose inside the carton during shipment.

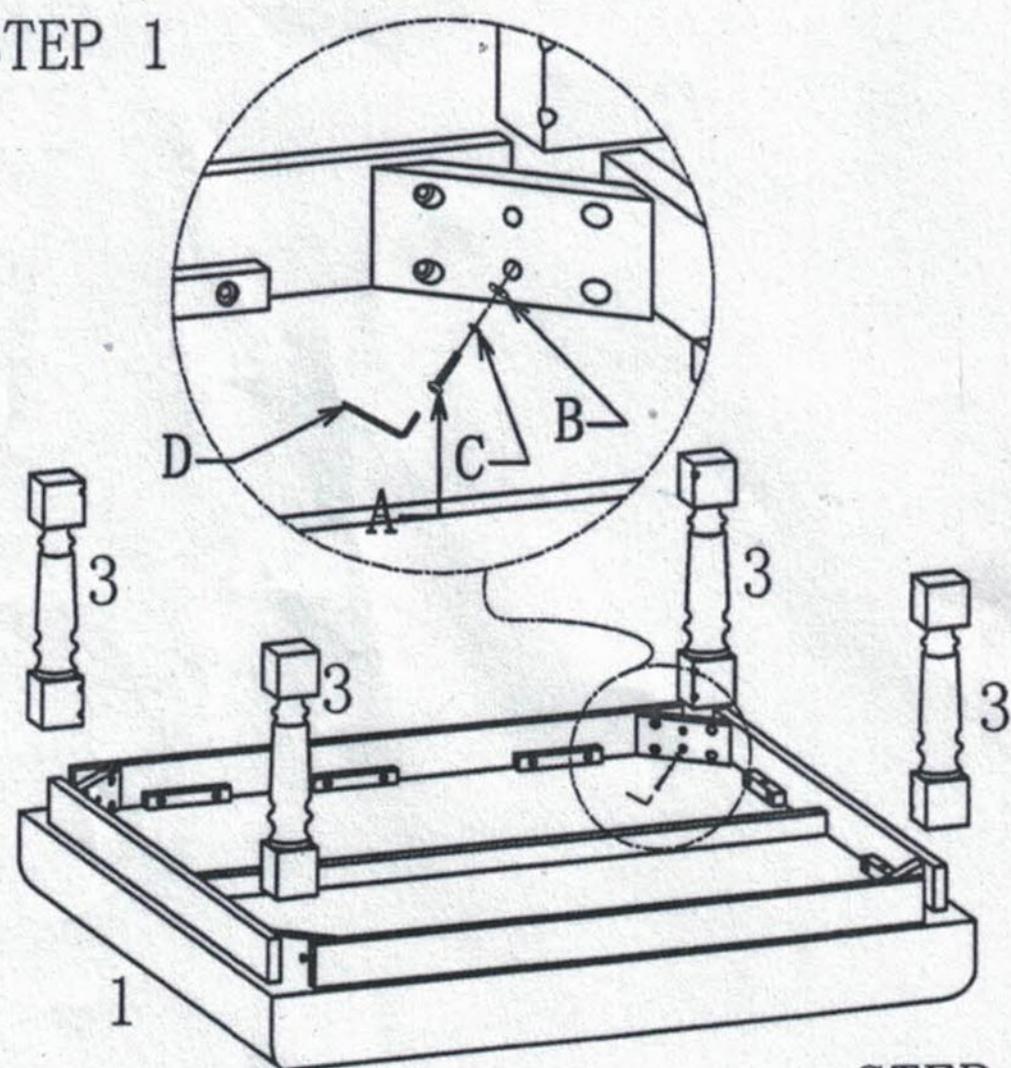
PARTS IDENTIFICATION:

| NO. | Sketch | Part | Quantity |
|-----|--------|--------------|----------|
| 1 | | TOP | 1PC |
| 2 | | BOTTOM SHELF | 1PC |
| 3 | | LEG | 4PCS |

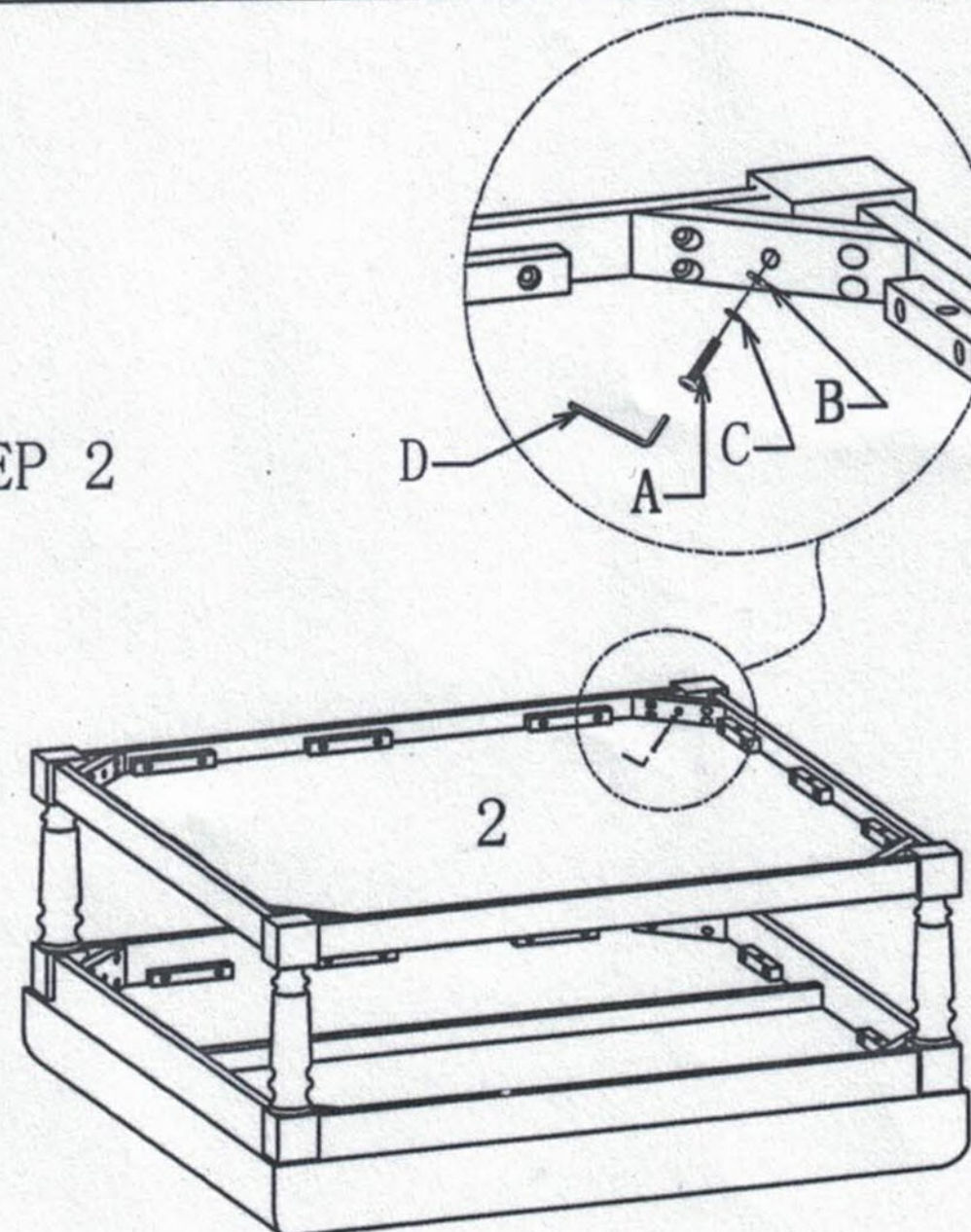
HARDWARE LIST:

| NO. | Sketch | Specification | Quantity |
|-----|--------|---------------------------|----------|
| A | | Bolt $\phi 1/4 \times 2"$ | 12pcs |
| B | | Flat washer $\phi 1/4"$ | 12pcs |
| C | | Lock washer $\phi 1/4"$ | 12pcs |
| D | | Allen wrench | 1pc |

STEP 1



STEP 2



STEP 3

