
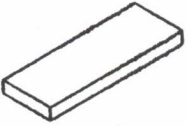




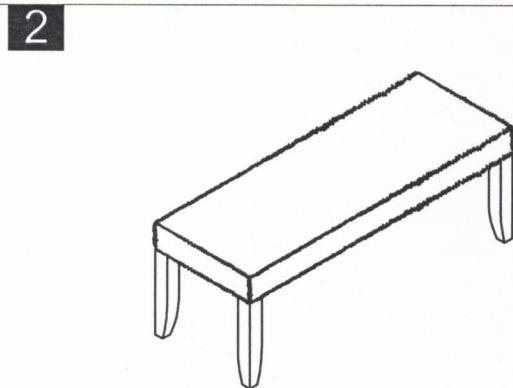
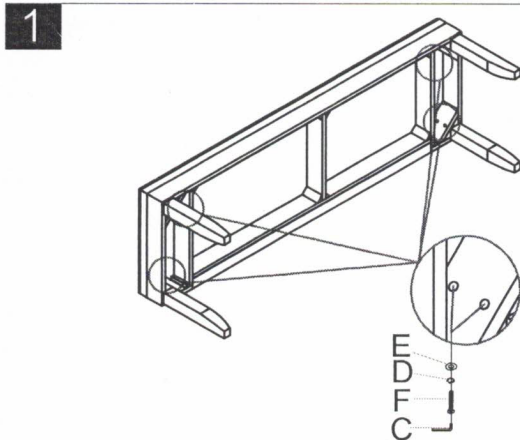
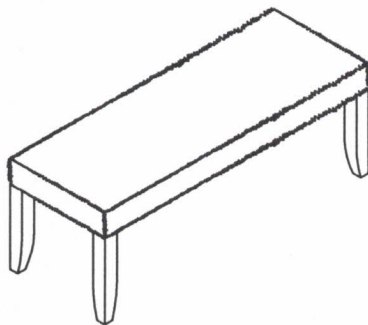


ASSEMBLY INSTRUCTION

BL103

- | | | | |
|---|---|---|---|
| <p>A LEG</p>  <p>4PCS</p> | <p>B SEAT</p>  <p>1PC</p> | <p>C ALLEN WRENCH</p>  <p>1PC</p> | <p>D LOCK WASHER 5/16" * Ø12MM</p>  <p>8PCS</p> |
| <p>E FLAT WASHER 5/16" * Ø19MM</p>  <p>8PCS</p> | <p>F BOLT 5/16" * 2"</p>  <p>8PCS</p> | | |

THIS PAGE USTS ALL THE CONTENTS IN THE BOX. PLEASE TAKE THE TIME TO IDENTIFY THE HARDWARE AS WELL AS THE INDIVIDUAL COMPONENTS TO THIS PRODUCT. AS YOU UNPACK & PREPARE FOR ASSEMBLY. PLACE THE CONTENTS ON A CARPETED OR PADDED AREA TO PROTECT THEM FROM DAMAGE



CLEANING & CARE

TREAT SURFACE WITH CARE. SURFACE IS RESISTANT TO SCRATCHES BUT IS NOT SCRATCH RESISTANT. CLEAN SURFACES WITH A DRY OR DAMP SOFT CLOTH. DO NOT USE ABRASIVE CLEANERS. HARDWARE MAY LOOSEN OVER TIME, PERIODICALLY CHECK THAT ALL CONNECTORS ARE TIGHT.