

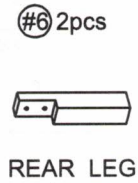
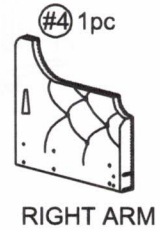
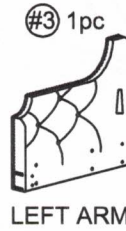
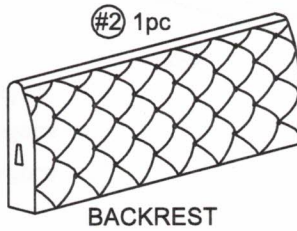
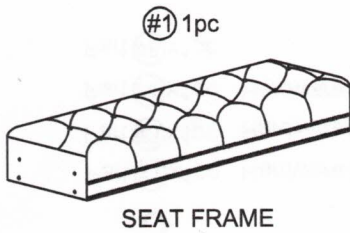
ASSEMBLY INSTRUCTIONS

F005

SOFA



PARTS



HARDWARE

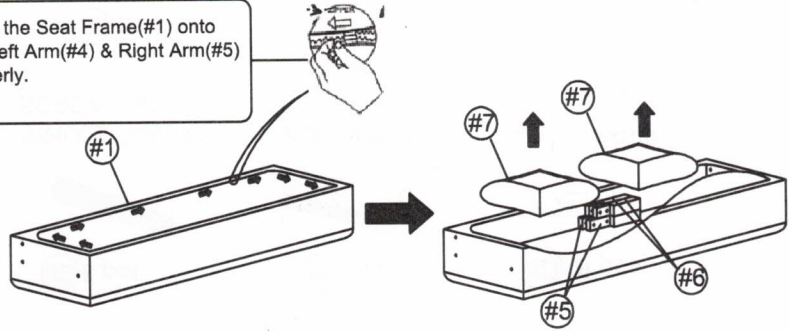


ASSEMBLY INSTRUCTIONS

1

- Part #1 x1pc
- Part #5 x2pcs
- Part #6 x2pcs
- Part #7 x2pcs
- HARDWARE

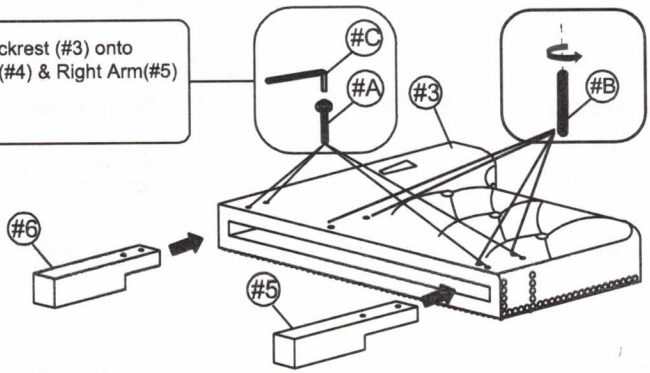
Hook the Seat Frame(#1) onto the Left Arm(#4) & Right Arm(#5) properly.



2

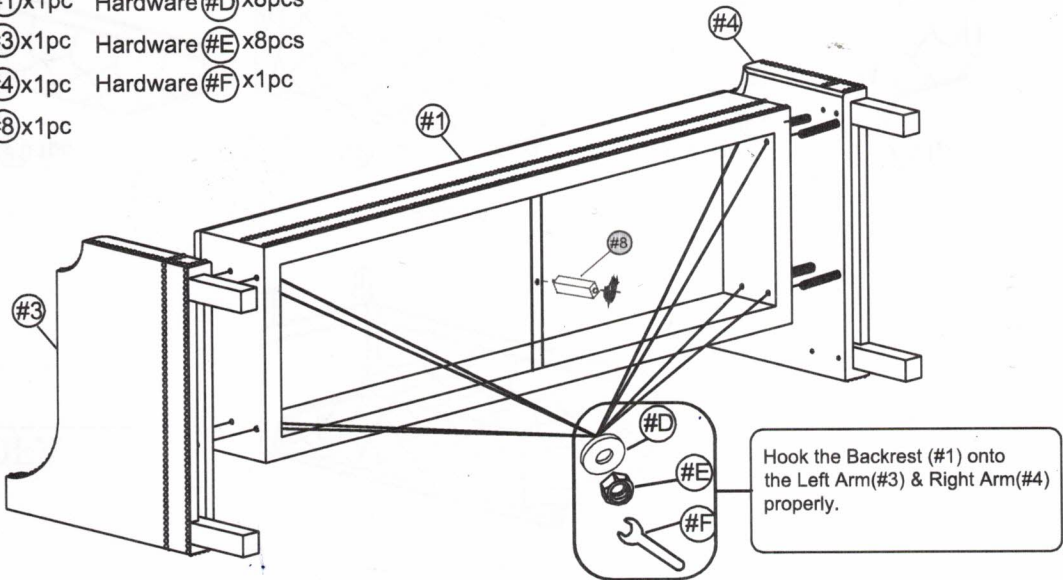
- Part #3 x1pc
- Part #5 x1pc
- Part #6 x1pc
- Hardware #A x4pcs
- Hardware #C x1pc
- Hardware #B x4pcs

Hook the Backrest (#3) onto the Left Arm(#4) & Right Arm(#5) properly.



3

- Part #1 x1pc Hardware #D x8pcs
- Part #3 x1pc Hardware #E x8pcs
- Part #4 x1pc Hardware #F x1pc
- Part #8 x1pc



Hook the Backrest (#1) onto the Left Arm(#3) & Right Arm(#4) properly.

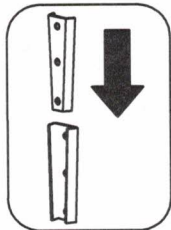
ASSEMBLY INSTRUCTIONS

4

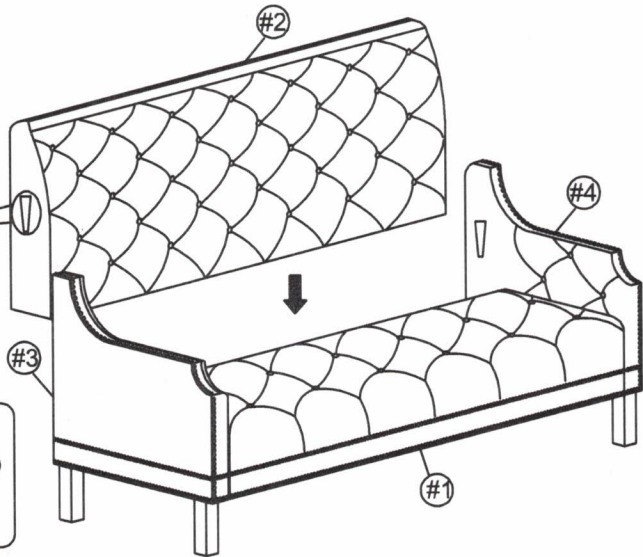
Part #2 x 1pc

Part #3 x 1pc

Part #4 x 1pc



Hook the Seat Frame(#2) onto the Left Arm(#3) & Right Arm(#4) properly.



5

Part #7 x 2pcs

Put the Seat Cushion(#7) on Seat Frame(#1)

