



**Best Master Furniture™**  
The Imported Furniture Specialist

# Item #A805 Table

## ASSEMBLY INSTRUCTIONS

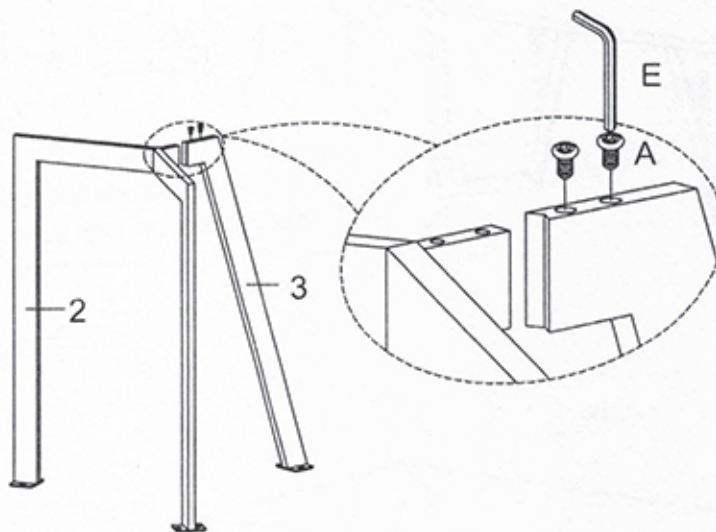
### HARDWARE LIST

NO.	SKETCH	DESCRIPTION	QTY
A		Bolt(1/4\"/>	4 PCS
B		Bolt(1/4\"/>	12 PCS
C		Washer(1/4\"/>	12 PCS
D		Spring Washer(1/4\"/>	12 PCS
E		Allen Wrench(4mm)	1 PC

### PARTS LIST

NO.	SKETCH	DESCRIPTION	QTY
1		Table Top	1 PC
2		Leg	2 PCS
3		Rail	2 PCS

### Step 1



Note: At this stage, do not fully tighten the Bolts.

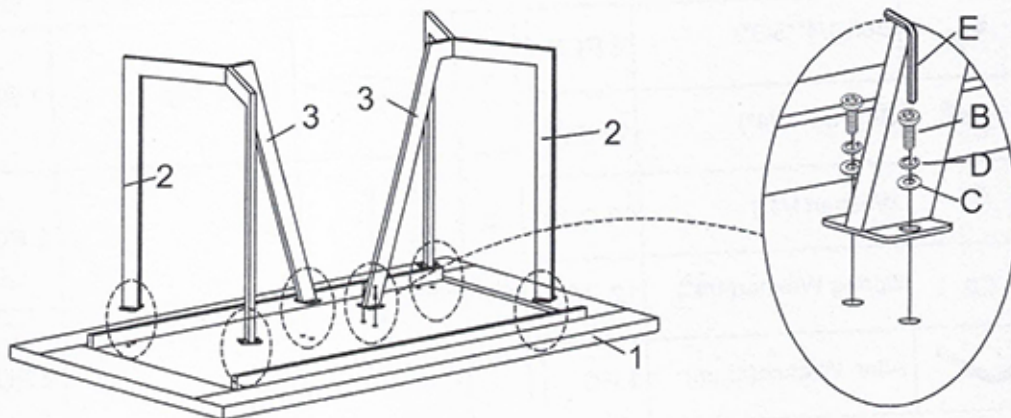


**Best Master Furniture™**  
The Imported Furniture Specialist

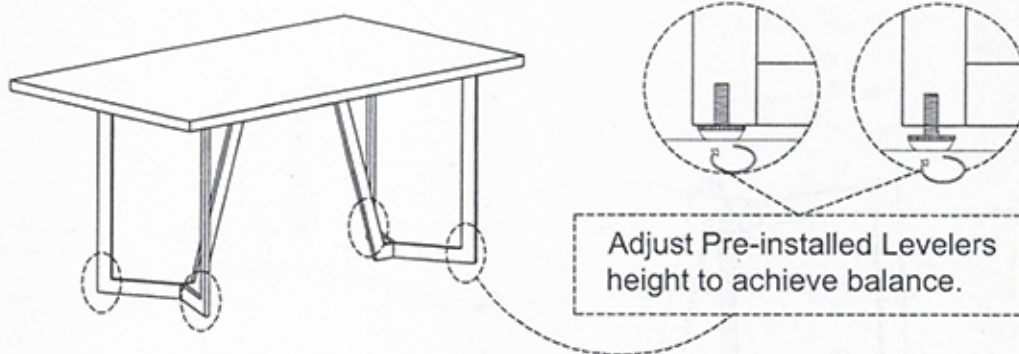
# Item #A805 Table

## ASSEMBLY INSTRUCTIONS

Step 2



Step 3



Step 4

