



**Best Master Furniture™**  
The Imported Furniture Specialist

# Item #A806 Round Table

## ASSEMBLY INSTRUCTIONS

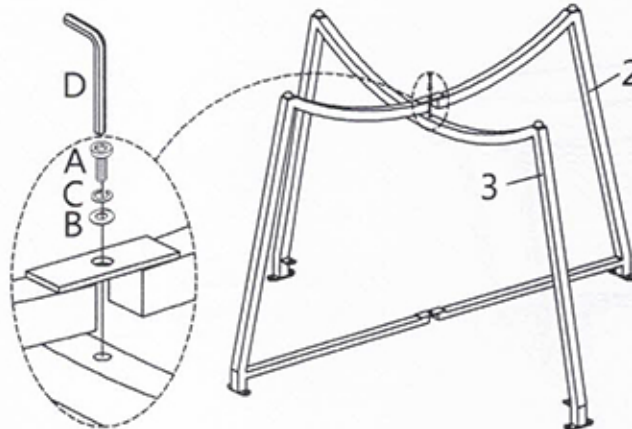
### HARDWARE LIST

NO.	SKETCH	DESCRIPTION	QTY
A		Bolt(1/4"*5/8")	12 PCS
B		Washer(1/4")	12 PCS
C		Spring Washer(1/4")	12 PCS
D		Allen Wrench(4mm)	1 PC

### PARTS LIST

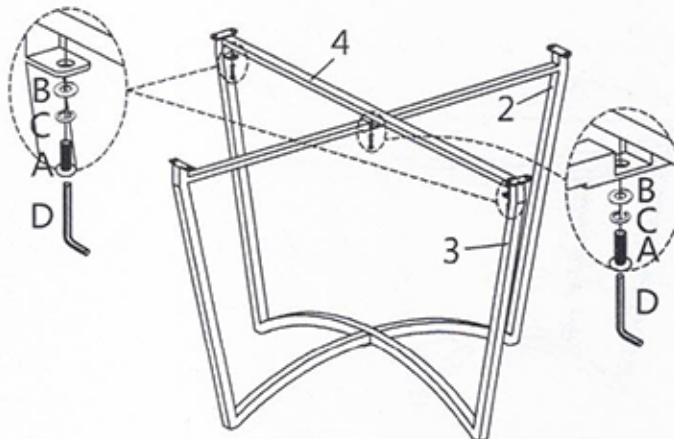
NO.	SKETCH	DESCRIPTION	QTY
1		Top Panel	1 PC
2		Support Frame	1 PC
3		Side Frame	1 PC
4		Upper Leg Frame	1 PC

### Step 1



**Note: At this step, do not fully tighten the bolts.**

### Step 2



**Note: At this step, do not fully tighten the bolts.**

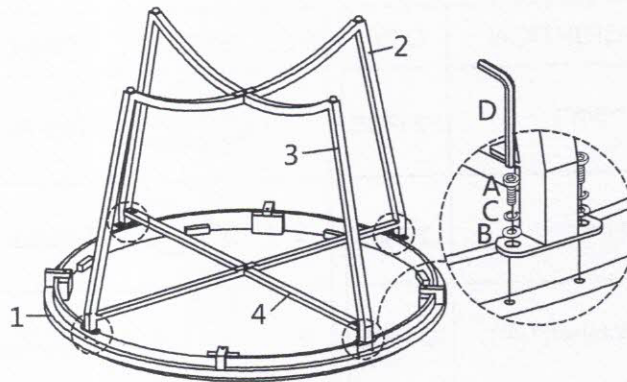


**Best Master Furniture™**  
The Imported Furniture Specialist

# Item #A806 Round Table

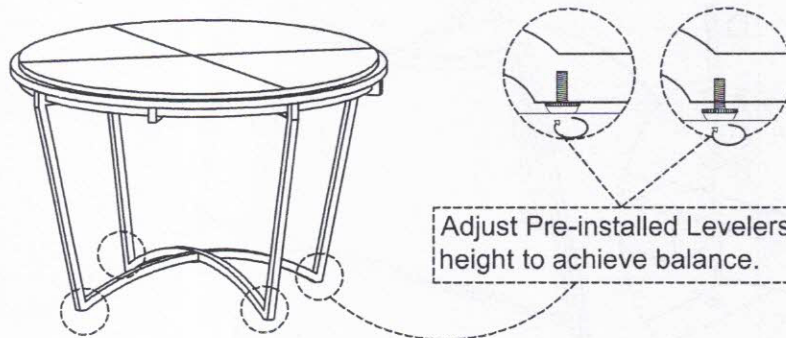
## ASSEMBLY INSTRUCTIONS

Step 3



**Note: At this stage, tighten all Bolts at all joints fully in a sequential manner.**

Step 4



Step 5

