



Best Master Furniture™
The Imported Furniture Specialist




Item #A806 Dining Chair

ASSEMBLY INSTRUCTIONS

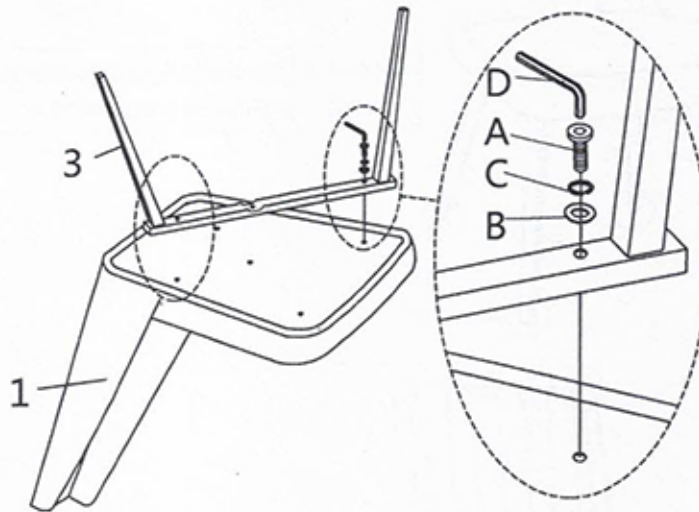
HARDWARE LIST

NO.	SKETCH	DESCRIPTION	QTY
A		Bolt(1/4"*1-1/4")	5 PCS
B		Washer(1/4")	5 PCS
C		Spring Washer(1/4")	5 PCS
D		Allen Wrench(4mm)	1 PC

PARTS LIST

NO.	SKETCH	DESCRIPTION	QTY
1		Chair Seat	1 PC
2		Lower Leg Frame	1 PC
3		Upper Leg Frame	1 PC

Step 1



Note: At this step, do not fully tighten the bolts.

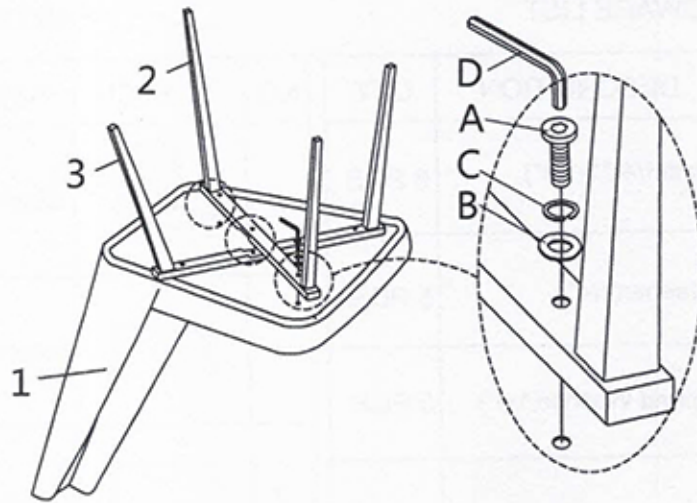


Best Master Furniture™
The Imported Furniture Specialist

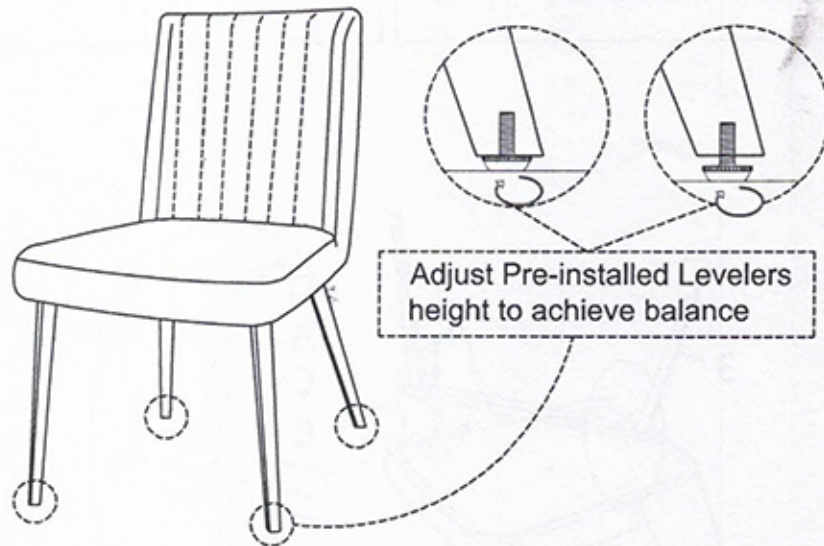
Item #A806 Dining Chair

ASSEMBLY INSTRUCTIONS

Step 2



Step 3



Step 4

